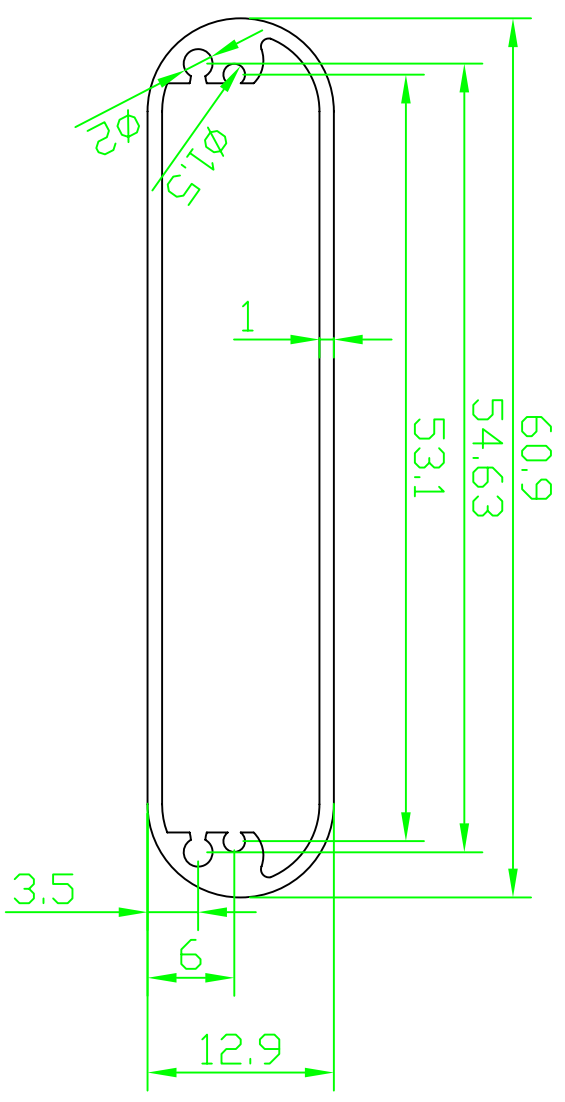


REVISION RECORD				
REV	ECN	DESCRIPTION	DRFT	CHKD



DETACHED LISTS		DATE	DATE
 FIRST ANGLE PROJECTION	ANGLS ± 5° 0.00 ± 0.1 0.00 ± 0.2 0.00 ± 0.1	DATE DATE DATE	DATE DATE DATE
TOLERANCES EXCEPT AS NOTED MM 0.1 ± 0.3 0.00 ± 0.2 0.00 ± 0.1	DRFTD CHKD MFD APPVL	DATE DATE DATE	DATE DATE DATE
MATERIAL: AL QTY: 1 FINISH:	TITLE 埃弗勒斯 EVEREST WWW.EVERESTCASE.COM	DRAWING NO. AH1199 /PART NO.	SIZE A4 REV
SCALE: 1:1 DD NOT SCALE DRAWING	SHEET 1 OF 1	DD NOT SCALE DRAWING	SHEET 1 OF 1