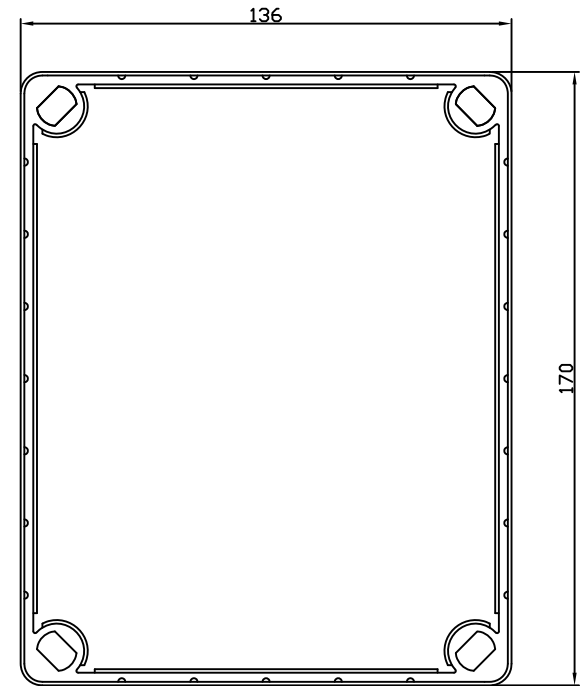
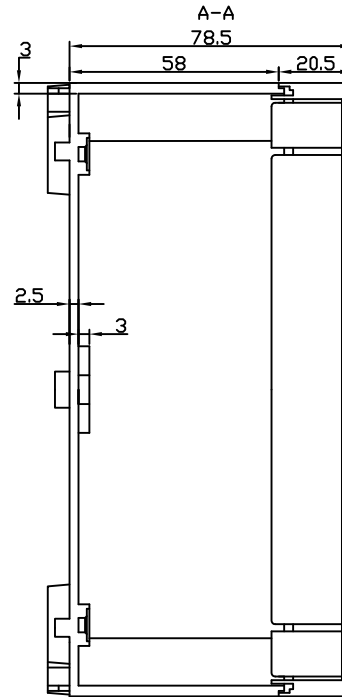
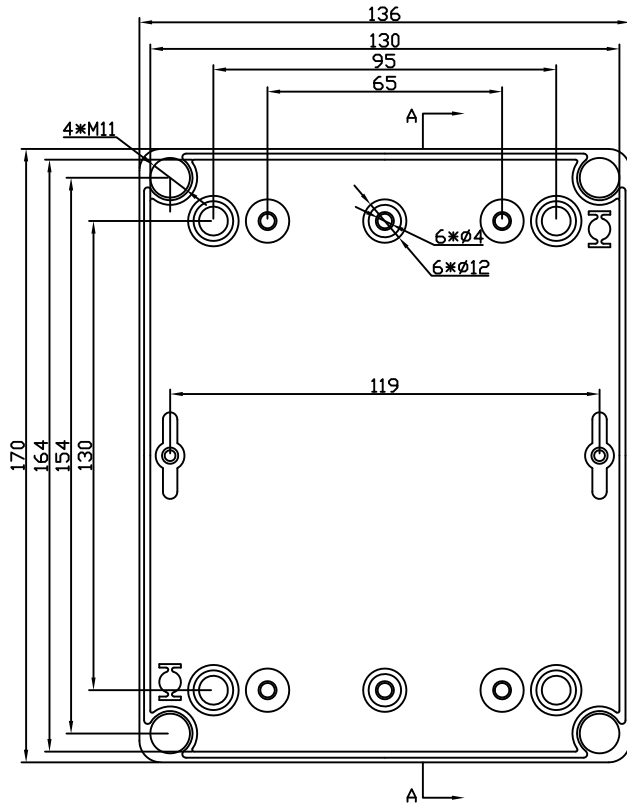




REVISION RECORD				
REV	ECD	DESCRIPTION	DRFT	CHKD



DETACHED LISTS	MM (INCH)		DFTD	DATE	 EVEREST WWW.EVERESTCASE.COM
	TOLERANCES EXCEPT AS NOTED		CHKD	DATE	
			MFD	DATE	
			APPVL	DATE	
MM			MATERIAL : ABS		TITLE
.0 ± 0.3		±	QT'Y :		DRAWING NO. PW001 /PART NO. 00
.00 ± 0.2		±	FINISH:		
.000 ± 0.1		±	SCALE : 1:1		A4
ANGLES ± 5°			DO NOT SCALE DRAWING		SHEET 1
 FIRST ANGLE PROJECTION			SHEET 1		OF 1